

INPUT

12 VDC, 0.42 A
24 VDC, 0.22 A

LENS TAMPER

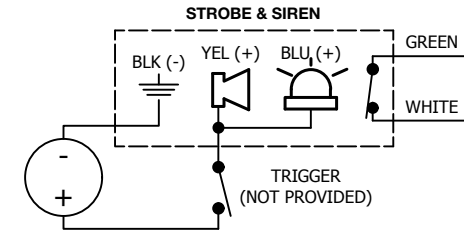
N.C. DRY CONTACT
0.05 A @ 12 VDC

OPERATING TEMPERATURE

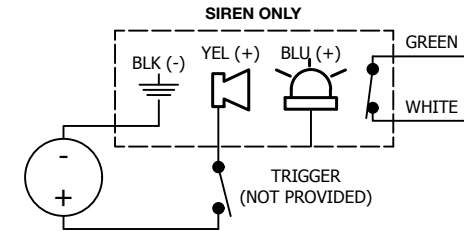
-4°F TO 140°F (-20°C TO 60°C)

CONTROL W/POWER SUPPLY

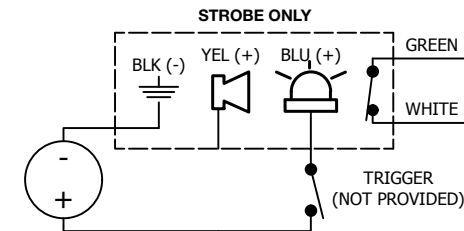
- ALARM ON TRIGGER CLOSE



TAMPER SWITCH TO SUPERVISORY PANEL (OPEN DOES NOT SOUND ALARM)



TAMPER SWITCH TO SUPERVISORY PANEL (OPEN DOES NOT SOUND ALARM)



TAMPER SWITCH TO SUPERVISORY PANEL (OPEN DOES NOT SOUND ALARM)

Housing Installation

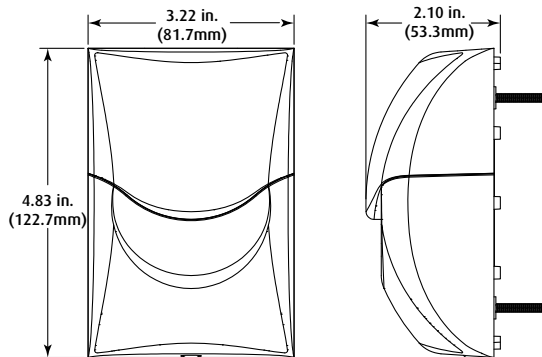
1. Loosen screw with 3/32 HEX KEY.
2. Pull bottom of housing out and lift up until tabs are released from slots in top of siren/strobe assembly.

Wire Connections

WHITE - TAMPER
GREEN - TAMPER
BLUE - STROBE
YELLOW - SIREN
BLACK - GROUND

⚠ WARNING: This product can expose you to chemicals including Dichloromethane, which is known to the State of California to cause cancer, and Bisphenol A (BPA), which is known to the State of California to cause birth defects or other reproductive harm. For more information go to www.P65Warnings.ca.gov.

Three year warranty or a one year limited warranty (from date of purchase) on most products.



INSTALLATION OF STI-SA5600 SELECT ALERT SIREN/STROBE

All specifications and information shown were current as of publication and are subject to change without notice.



S2 - STROBE CONTROL (1)

1	2	3	4	5	6	7	8	9	FUNCTION
*	1	1	1						LEFT TO RIGHT FLASHING (30cyc/ 1 min)
	0	1	1						BREATHING (12cyc/1 min)
	1	0	1						FLASHING (120 cyc/1 min)
	0	0	1						FLASHING (90 cyc/1 min)
	1	1	0						FLASHING (60 cyc/1 min)
	0	1	0						INDIRECT FLASHING (50 cyc/1 min)
	1	0	0						INDIRECT FLASHING (30 cyc/1 min)
	0	0	0						CONTINUOUS (SOLID LIGHT)

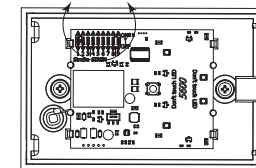
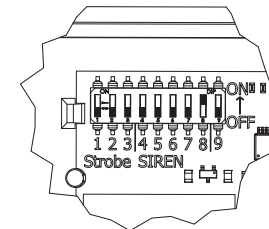
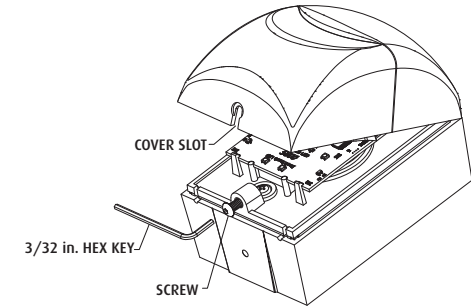
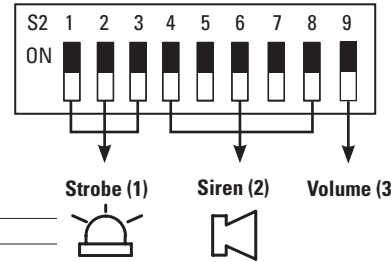
S2 - ALARM TONES (2)

1	2	3	4	5	6	7	8	9	FUNCTION
*		1	1	1	1	1	1		1800Hz - 3300Hz @ 150ms
		0	1	1	1	1	1		500Hz - 1200Hz, 0.5s/ 0.5s OFF x 3/1.5s OFF (AS1670 EVACUATION)
		1	0	1	1	1	1		520Hz, 0.5s / 0.5s OFF x 3/1.5s OFF (FIRE)
		0	0	1	1	1	1		1200Hz - 500Hz @ 1Hz (DIN 33 404)
		1	1	0	1	1	1		500Hz - 1200Hz, 3.75s ON / 0.25s OFF (AS2220)
		0	1	0	1	1	1		550Hz/440Hz @0.5 Hz
		1	0	0	1	1	1		970Hz, 0.5s/ 630Hz, 0.5s
		0	0	0	1	1	1		800Hz / 1000Hz 0.5s each (1Hz)
		1	1	1	0	1	1		1500Hz - 2700Hz @ 3Hz
		0	1	1	0	1	1		800Hz / 970Hz @2Hz
		1	0	1	0	1	1		800Hz, 0.25s ON/ 1s OFF
		0	0	1	0	1	1		2400Hz - 2900Hz @ 9Hz
		1	1	0	0	1	1		750Hz
		0	1	0	0	1	1		970Hz
		1	0	0	0	1	1		970Hz, 1s OFF/1s ON
		0	0	0	0	1	1		500Hz - 1200Hz, 3.5s ON/ 0.5s OFF (NEN 2575:2000 DUTCH SLOW WHOOP)
		1	1	1	1	0	1		800Hz - 970Hz @1Hz
		0	1	1	1	0	1		1000-2500Hz, 0.5s/ 0.5s OFF x 3/1.5s OFF (AS1670 EVACUATION)
		1	0	1	1	0	1		2850Hz, 0.5s ON/0.5s OFF x 3/1.5s OFF (ISO 8201)
		0	0	1	1	0	1		660Hz 1.8s ON/1.8s OFF
		1	1	0	1	0	1		500Hz - 1200Hz @ 0.33Hz
		0	1	0	1	0	1		250Hz - 1200Hz @ 12Hz
		1	0	0	1	0	1		2400Hz
		0	0	0	1	0	1		800Hz / 970Hz @9Hz
		1	1	1	0	0	1		510Hz, 0.25s/ 610Hz, 0.25s
		0	1	1	0	0	1		550Hz, 0.7s/1000Hz, 0.33s
		1	0	1	0	0	1		660Hz 0.15s ON/0.15s OFF
		0	0	1	0	0	1		800Hz - 970Hz @ 3Hz
		1	1	0	0	0	1		420Hz 0.625s ON/0.625s OFF (AUSTRALIA AS1670 ALERT TONE)
		0	1	0	0	0	1		554Hz, 0.1s/440Hz, 0.4s (AFNOR NF S 32 001)
		1	0	0	0	0	1		970Hz, 0.5s ON/0.5s OFF x 3/1.5s OFF (ISO 8201)
		0	0	0	0	0	1		2400Hz - 2900Hz @ 3 Hz

S2 - VOLUME (3)

1	2	3	4	5	6	7	8	9	FUNCTION
								1	VOLUME - HI
								0	VOLUME - LOW

*Default



INSTALLATION OF STI-SA5600 SELECT ALERT SIREN/STROBE

All specifications and information shown were current as of publication and are subject to change without notice.